

DH-SD63220I-HC

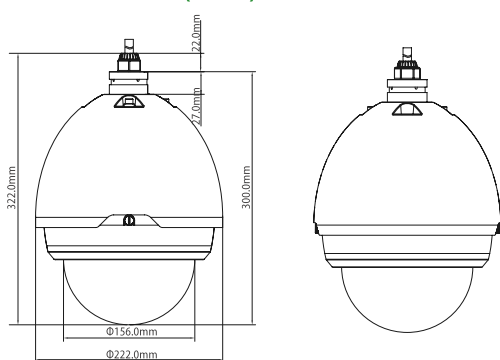
2Mp Full HD HDCVI PTZ Dome Camera



Features

- 20x optical zoom
- Max. 25/30fps@1080P (1920×1080) & 50/60fps@720P resolution
- DWDR, Day/Night(ICR), Ultra DNR, Auto iris, Auto focus
- Control over coaxial cable, long distance real-time transmission
- Max 400°/s pan speed, 360° endless pan rotation
- Up to 255 presets, 5 auto scan, 8 tour, 5 pattern
- Built-in 2/1 alarm in/out
- Support intelligent 3D positioning with DH-SD protocol
- IP66

Dimensions (mm)



Accessories



Accessories(optional)



DH-PFA111 DH-PFB300C DH-PFB301C DH-PFA112 DH-PFA113 DH-PFB301S DH-PFA120 DH-PFA150 DH-PFA151

Technical Specifications

Model	DH-SD63220I-HC
Camera	
Image Sensor	1/3" Exmor CMOS
Effective Pixels	1920(H)×1080(V), 2 Megapixels
Scanning System	Progressive
Electronic Shutter Speed	1/1~1/30,000s
Min. Illumination	Color: 0.05Lux@F1.4; B/W: 0.005Lux@F1.4
S/N Ratio	More than 50dB
Resolution	1080P (25/30fps), 720P (25/30/50/60fps)
Video Output	1-channel BNC HDCVI high definition video output
Camera Features	
Day/Night	Auto(ICR) / Color / B/W
Backlight Compensation	BLC / HLC / DWDR (Digital WDR)
White Balance	Auto, ATW, Indoor, Outdoor, Manual
Gain Control	Auto / Manual
Noise Reduction	2D / 3D
Privacy Masking	Up to 24 areas
Digital Zoom	16x
Lens	
Focal Length	4.7mm~94mm (20x Optical zoom)
Max Aperture	F1.4~F2.6
Focus Control	Auto / Manual
Angle of View	H: 54.1°~3.2°
Close Focus Distance	100mm~1000mm
PTZ	
Pan/Tilt Range	Pan: 0°~360° endless; Tilt: -2°~90°, auto flip 180°
Manual Control Speed	Pan: 0.1°~300° /s; Tilt: 0.1°~250° /s
Preset Speed	Pan: 400° /s; Tilt: 300° /s
Preset	80 (DH-SD), 255 (Pelco-P/D)
PTZ Mode	5 Pattern, 8 Tour, Auto Pan, Auto Scan
Speed Setup	Human-oriented focal length / speed adaptation
Power up Action	Auto restore to previous PTZ and lens status after power failure
Idle Motion	Activate Preset / Pan / Scan / Tour / Pattern if there is no command in the specified period
Time Task	Auto activation of Preset / Pan / Scan / Tour / Pattern by preset-time
Protocol	DH-SD, Pelco-P/D (Auto recognition)
Audio	
Interface	1 channel In
Auxiliary Interface	
RS485	1
Alarm	2/1 channel In/Out
General	
Power Supply	AC 24V / 2.2A (±10%)
Power Consumption	9.5W, 21W (Heater on)
Working Environment	-40°C ~ 60°C / Less than 90% RH
Ingress Protection	IP66
Vandal Resistance	IK10
Dimensions	Φ222mm×322mm
Weight	7.5kg