

# DH-HAC-HFW2100B(-B)

## 1.3Megapixel 720P Water-proof IR HDCVI Camera

### Technical Specifications

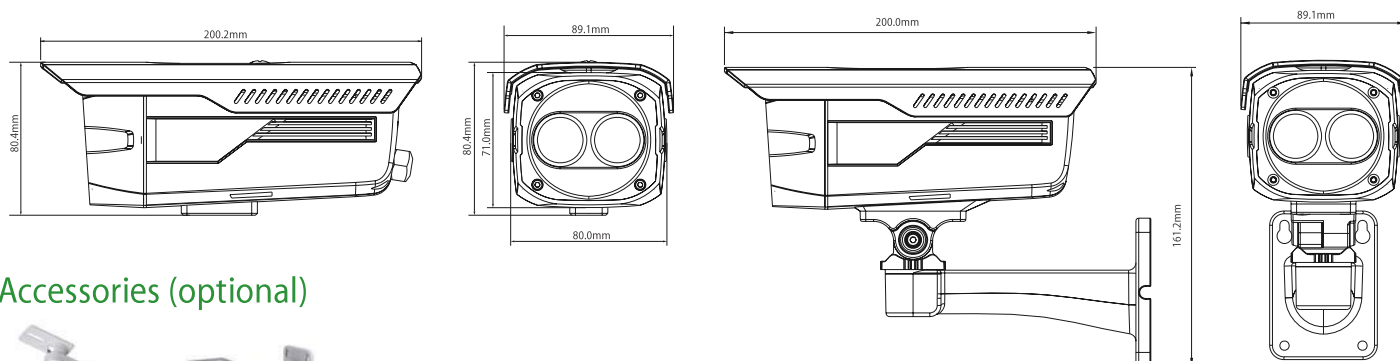


Model	DH-HAC-HFW2100BP	DH-HAC-HFW2100BN	DH-HAC-HFW2100BP-B	DH-HAC-HFW2100BN-B
<b>Camera</b>				
Image Sensor	1/3" 1.3Megapixel CMOS			
Effective Pixels	1280(H)×960(V)			
Electronic Shutter	PAL: 4/25s~1/45,000s; NTSC: 4/30~1/54,000s			
Video Frame Rate	1280×720@25fps; 1280×720@30fps; 1280×720@50fps; 1280×720@60fps			
Synchronization	Internal			
Min. Illumination	0.01Lux@F1.2(0Lux IR LED on)			
Video Output	1-channel BNC HDCVI high definition video output/ CVBS standard definition video output (Can switch)			
<b>Camera Features</b>				
Max. IR LEDs Length	30m, Smart IR			
Day/Night	Auto(ICR)/B&W/Color			
Noise Reduction	3D/2D			
OSD Menu	Support			
<b>Lens</b>				
Focal length	6mm (2.8 mm, 3.6mm, 8mm optional)			
Mount Type	M12			
<b>General</b>				
Power Supply	DC12V±10%			
Power Consumption	Max 6W			
Working Environment	-30°C~+60°C Humidity is less than 95%(no condensation)			
Transmission Distance	Over 500m via 75-3 coaxial cable			
Ingress Protection	IP66			
Dimensions(W×D×H)	200.2mm×89.1mm×80.4mm		200mm×89.1mm×161.2mm	
Weight	0.45kg		0.58kg	
Others	N/A		Default: bracket included	

### Features

- 1/3" 1.3Megapixel CMOS
- 25/30/50/60fps@720P
- High speed, long distance real-time transmission
- HD and standard definition switch
- OSD Menu, control over coaxial cable
- Day/Night(ICR), AWB, AGC, BLC, 3D-DNR
- 6mm fixed lens (2.8 mm, 3.6mm, 8mm optional)
- Max. IR LEDs length 30m, Smart IR
- IP66, DC12V
- Default with bracket (HFW2100B-B)

### Dimensions(mm)



### Accessories (optional)



PFB120W

PFB121W