

DH-HAC-HFW2200B(-B)

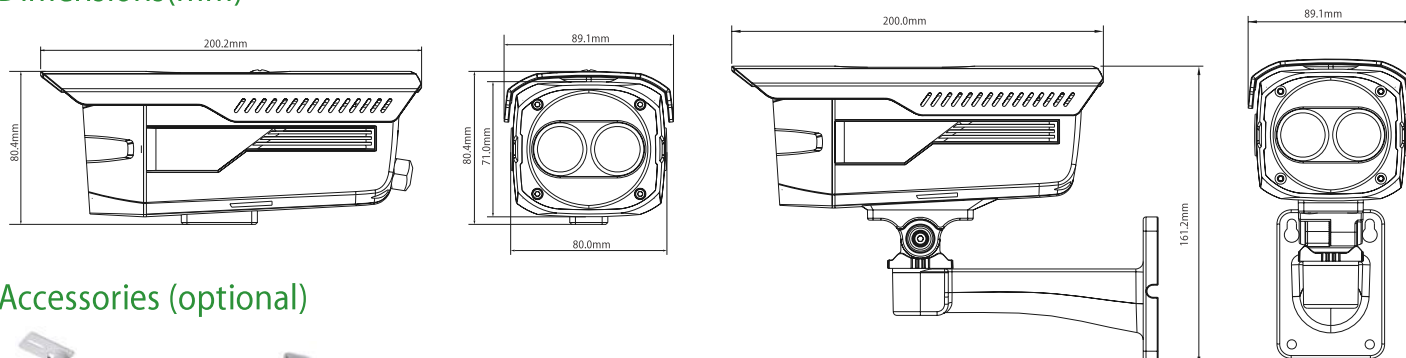
2Megapixel 1080P Water-proof IR HDCVI Camera



Features

- 1/3" 2Megapixel CMOS
- 25/30fps@1080P, 25/30/50/60fps@720P
- High speed, long distance real-time transmission
- HD and standard definition switch
- OSD Menu, control over coaxial cable
- Day/Night(ICR), AWB, AGC, BLC, 3D-DNR
- 6mm fixed lens (2.8 mm, 3.6mm, 8mm optional)
- Max. IR LEDs length 30m, Smart IR
- IP66, DC12V
- Default with bracket (HFW2200B-B)

Dimensions(mm)



Accessories (optional)



PFB120W

PFB121W

Technical Specifications

Model	DH-HAC-HFW2200BP	DH-HAC-HFW2200BN	DH-HAC-HFW2200BP-B	DH-HAC-HFW2200BN-B
Camera				
Image Sensor	1/3" 2Megapixel CMOS			
Effective Pixels	1920(H)×1080(V)			
Electronic Shutter	1/3s~1/100,000s			
Video Frame Rate	1920×1080@25fps; 1920×1080@30fps; 1280×720@25fps; 1280×720@30fps; 1280×720@50fps; 1280×720@60fps			
Synchronization	Internal			
Min. Illumination	0.05Lux@F1.2(0Lux IR LED on)			
Video Output	1-channel BNC HDCVI high definition video output/ CVBS standard definition video output (Can switch)			
Camera Features				
Max. IR LEDs Length	30m, Smart IR			
Day/Night	Auto(ICR)/B&W/Color			
Noise Reduction	3D/2D			
OSD Menu	Support			
Lens				
Focal length	6mm (2.8 mm, 3.6mm, 8mm optional)			
Mount Type	M12			
General				
Power Supply	DC12V±10%			
Power Consumption	Max 6.5W			
Working Environment	-30°C~+60°C Humidity is less than 95%(no condensation)			
Transmission Distance	Over 300m via 75-3 coaxial cable			
Ingress Protection	IP66			
Dimensions(W×D×H)	200.2mm×89.1mm×80.4mm		200mm×89.1mm×161.2mm	
Weight	0.45kg		0.58kg	
Others	N/A		Default: bracket included	